



Brass

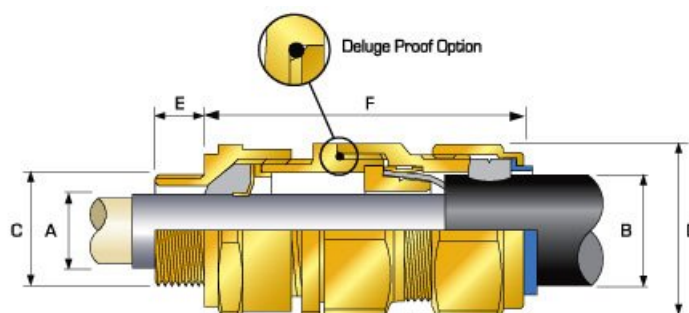
E2W Industrial Cable Gland

CMP E2W type brass indoor and outdoor cable gland for use with all types of Lead Sheathed and Single Wire Armour (SWA) cable providing an environmental seal on the cable inner lead sheath and cable outer sheath.

All CMP Cable Glands are EMC Tested.

The cable gland provides mechanical cable retention and electrical continuity via the armour termination and also earth bonding of the inner lead covering or lead sheath. A detachable armour cone and AnyWay universal clamping ring arrangement allows the cable to be easily disconnected from the equipment, for maintenance and change out etc. This feature also facilitates remote make off procedures when the termination is to be conducted in confined spaces or in areas of restricted access. Separate tightening actions for the inner displacement seal and the armour termination affords maximum control over the pressure applied to the cable inner lead covering.

The CMP E2W range of industrial cable glands is designed and tested to [BS 6121:Part 1:1989](#), meets or surpasses the requirements of [EN 50262:1999](#), and is produced from Brass grade CuZn39Pb3 (CW614N) to EN12168. Other materials including Aluminium are also available in this standard design.



Note: Deluge proof version available



Edited with **Infix PDF Editor**
- free for non-commercial use.

To remove this notice, visit:
www.iceni.com/unlock.htm

16.02.2012 21:31:55

Cable Gland Selection Table

Cable Gland Size	Available Entry Threads "C"			Minimum Thread Length "E"	Cable Lead Sheath Diameter "A"		Overall Cable Diameter "B"		Armour Range +		Across Flats "D"	Across Corners "D"	Protrusion Length "F"	Ordering Reference (Brass Metric) #	PVC Shroud Ref *	Cable Gland Weight (Kgs)
	Standard		Option		Min	Max	Min	Max	Min	Max						
	Metric	NPT	NPT													
20S/16	M20	1/2"	3/4"	10.0	3.1	8.6	6.1	13.2	0.9	1.0	24.0	25.9	63.0	20S16E2W1RA	PVC04	0.163
20S	M20	1/2"	3/4"	10.0	6.1	11.6	9.5	15.9	0.9	1.25	24.0	25.9	63.0	20SE2W1RA	PVC04	0.163
20	M20	1/2"	3/4"	10.0	6.5	13.9	12.5	20.9	0.9	1.25	30.5	32.9	67.0	20E2W1RA	PVC06	0.217
25S	M25	3/4"	1"	10.0	11.1	19.9	14.0	22.0	1.25	1.6	37.5	40.5	78.0	25SE2W1RA	PVC09	0.345
25	M25	3/4"	1"	10.0	11.1	19.9	18.2	26.2	1.25	1.6	37.5	40.5	78.0	25E2W1RA	PVC09	0.345
32	M32	1"	1 1/4"	10.0	17.0	26.2	23.7	33.9	1.6	2.0	46.0	49.7	78.0	32E2W1RA	PVC11	0.484
40	M40	1 1/4"	1 1/2"	15.0	22.0	32.1	27.9	40.4	1.6	2.0	55.0	59.4	83.0	40E2W1RA	PVC15	0.700
50S	M50	1 1/2"	2"	15.0	29.5	38.1	35.2	46.7	2.0	2.5	60.0	64.8	78.0	50SE2W1RA	PVC18	0.800
50	M50	2"	2 1/2"	15.0	35.6	44.0	40.4	53.1	2.0	2.5	70.0	75.6	81.0	50E2W1RA	PVC21	0.830
63S	M63	2"	2 1/2"	15.0	40.1	49.9	45.6	59.4	2.0	2.5	75.0	81.0	93.0	63SE2W1RA	PVC23	1.415
63	M63	2 1/2"	3"	15.0	47.2	55.9	54.6	65.9	2.0	2.5	80.0	86.4	95.0	63E2W1RA	PVC25	1.514
75S	M75	2 1/2"	3"	15.0	52.8	61.9	59.0	72.1	2.0	2.5	89.0	96.1	103.0	75SE2W1RA	PVC28	2.199
75	M75	3"	3 1/2"	15.0	59.1	67.9	66.7	78.5	2.5	3.0	99.0	106.9	110.0	75E2W1RA	PVC30	2.770
90	M90	3"	3 1/2"	15.0	66.6	79.9	76.2	90.4	3.0	3.5	114.0	123.1	136.0	90E2W1RA	PVC32	4.478
100	M100	4"	-	15.0	76.0	90.9	86.1	101.5	3.15	4.0	123.0	132.8	145.0	100E2W1RA	LSF33	4.700
115	M115	-	-	15.0	86.0	97.9	101.5	110.3	3.15	4.0	133.4	144.1	160.0	115E2W1RA	LSF34	5.300
130	M130	-	-	15.0	97.0	114.9	114.2	123.3	3.15	4.0	146.1	157.8	185.0	130E2W1RA	LSF35	5.900

Dimensions are displayed in millimetres unless otherwise stated

NOTE: *CMP SOLO LSF Halogen Free Shrouds also available on request. + Alternative armour clamping range available for non-standard armour sizes. # Other thread forms are available.

Cable Gland Size	Available Entry Threads "C"			Minimum Thread Length "E"	Cable Lead Sheath Diameter "A"		Overall Cable Diameter "B"		Armour Range +		Across Flats "D"	Across Corners "D"	Protrusion Length "F"	Ordering Reference (Brass Metric) #	PVC Shroud Ref *	Cable Gland Weight (Ozs)
	Standard		Option		Min	Max	Min	Max	Min	Max						
	Metric	NPT	NPT													
20S/16	M20	1/2"	3/4"	0.394	0.122	0.339	0.240	0.519	0.035	0.039	0.945	1.020	2.480	20S16E2W1RA	PVC04	5.75
20S	M20	1/2"	3/4"	0.394	0.240	0.457	0.374	0.626	0.035	0.049	0.945	1.020	2.480	20SE2W1RA	PVC04	5.75
20	M20	1/2"	3/4"	0.394	0.256	0.547	0.492	0.823	0.035	0.049	1.201	1.295	2.638	20E2W1RA	PVC06	7.65
25S	M25	3/4"	1"	0.394	0.437	0.783	0.551	0.866	0.049	0.063	1.476	1.594	3.071	25SE2W1RA	PVC09	12.17
25	M25	3/4"	1"	0.394	0.437	0.783	0.717	1.031	0.049	0.063	1.476	1.594	3.071	25E2W1RA	PVC09	12.17
32	M32	1"	1 1/4"	0.394	0.669	1.031	0.933	1.335	0.063	0.079	1.811	1.957	3.071	32E2W1RA	PVC11	17.07
40	M40	1 1/4"	1 1/2"	0.591	0.866	1.264	1.098	1.591	0.063	0.079	2.165	2.339	3.268	40E2W1RA	PVC15	24.69
50S	M50	1 1/2"	2"	0.591	1.161	1.500	1.386	1.839	0.079	0.098	2.362	2.551	3.071	50SE2W1RA	PVC18	28.22
50	M50	2"	2 1/2"	0.591	1.402	1.732	1.591	2.091	0.079	0.098	2.756	2.976	3.189	50E2W1RA	PVC21	29.28
63S	M63	2"	2 1/2"	0.591	1.579	1.965	1.795	2.339	0.079	0.098	2.953	3.189	3.661	63SE2W1RA	PVC23	49.91
63	M63	2 1/2"	3"	0.591	1.858	2.201	2.150	2.594	0.079	0.098	3.150	3.402	3.740	63E2W1RA	PVC25	53.40
75S	M75	2 1/2"	3"	0.591	2.079	2.437	2.323	2.839	0.079	0.098	3.504	3.783	4.055	75SE2W1RA	PVC28	77.57
75	M75	3"	3 1/2"	0.591	2.327	2.673	2.626	3.091	0.098	0.118	3.898	4.209	4.331	75E2W1RA	PVC30	97.71
90	M90	3"	3 1/2"	0.591	2.622	3.146	3.000	3.559	0.118	0.138	4.488	4.846	5.354	90E2W1RA	PVC32	157.96
100	M100	4"	-	0.591	2.992	3.579	3.390	3.996	0.124	0.157	4.843	5.228	5.709	100E2W1RA	LSF33	165.79
115	M115	-	-	0.591	3.386	3.854	3.996	4.343	0.124	0.157	5.252	5.673	6.299	115E2W1RA	LSF34	186.95
130	M130	-	-	0.591	3.819	4.524	4.496	4.854	0.124	0.157	5.752	6.213	7.283	130E2W1RA	LSF35	208.12

Dimensions are displayed in inches unless otherwise stated

NOTE: *CMP SOLO LSF Halogen Free Shrouds also available on request. + Alternative armour clamping range available for non-standard armour sizes. # Other thread forms are available.



Edited with Infix PDF Editor
- free for non-commercial use.

To remove this notice, visit:

www.iceni.com/unlock.htm

16.02.2012 21:31:55

TECHNICAL DATA

GOST R Certificate Number	POCC GB.06.H00187
GOST K Certificate Number	KZ 75000361 01 01 14761
RoK Permit For Use Number	19-02-UL-1957
Lloyds Approval No.	01/00171
ABS Approval No.	01-LD234401A/2-PDA
Type	E2W
Design Specification	BS 6121:Part 1:1989 , EN 50262:1999
Continuous Operating Temperature	-60°C to +150°C
Ingress Protection Rating	IP66
Cable Gland Material	Brass, Electroless Nickel Plated Brass, Aluminium, Stainless Steel
Seal Material	CMP Formulated Thermoplastic Elastomer
Cable Type	Lead Sheathed & Single Wire Armour (LC/SWA), Lead Sheathed Aluminium Wire Armour (LC/AWA)
Armour Clamping	Detachable Armour Cone & AnyWay Universal Clamping Ring
Sealing Technique	CMP Inner Displacement Seal & Unique CMP "LRS" TM Outer Load Retention Seal
Sealing Area(s)	Cable Inner Bedding & Outer Cable Sheath
Accessories	Adaptor/Reducer , Locknut , Serrated Washer , Entry Thread Seal , Shroud

