

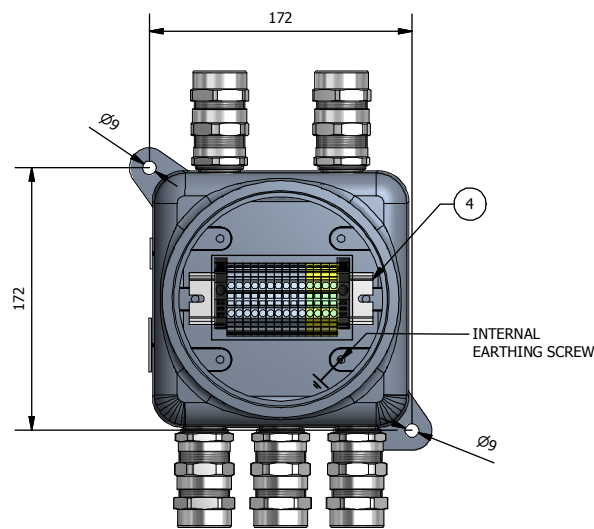
Bill of material

Q.TY	FEAM CODE	DESCRIPTION	POS.
1	GUB-0	MARINE GRADE COPPER FREE ALUMINIUM JUNCTION BOX TYPE GUB-0 Ex-d IIC T5 IP66 PAINTED EPOXY GREY RAL 7001	1
10	Z1080#04019	Ex-e TERMINAL 2,5÷4sqmm TYPE UT 2,5 CODICE 3044076 PHOENIX CONTACT	2
4	Z1080#07945	Ex-e EARTH TERMINAL 2,5+4sqmm TYPE UT 2,5 CODICE 3044092 PHOENIX CONTACT	3
1	1040.00150#120	OMEGA RAIL TYPE TS35 120mm	4
2	1040.00028	OMEGA END BLOCK	5
1	Z2080#03756	ROSE TAG	6
1	GOST-R LABEL	CERTIFICATE LABEL	7
5	PAP#02NON	DOUBLE SEAL NICKEL PLATED BRASS CABLE GLAND FOR ARMoured CABLE COMPLETE WITH ALL SERIES SPARE RINGS (DIA U.A. 10,5÷18, O.D 15÷24) SZ.2 THREAD 3/4" NPT TYPE PAP 02 NON Ex-d / Ex-e IIC IP66	8
1		TRAFOLYTE NAMEPLATE 50x20mm BLACK TEXT ON WHITE BACKGROUND SCREWS FIXED	9

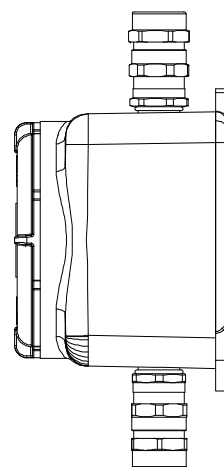
ITEM 1 Q.TY 102 (Z5020#1501621)

NOTE:

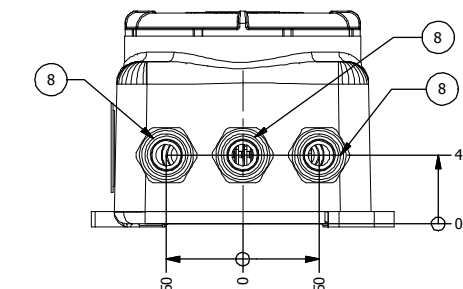
CABLE GLANDS COMPLETE WITH ALL SERIES SPARE RINGS  
CABLE GLANDS SUPPLIED LOOSE



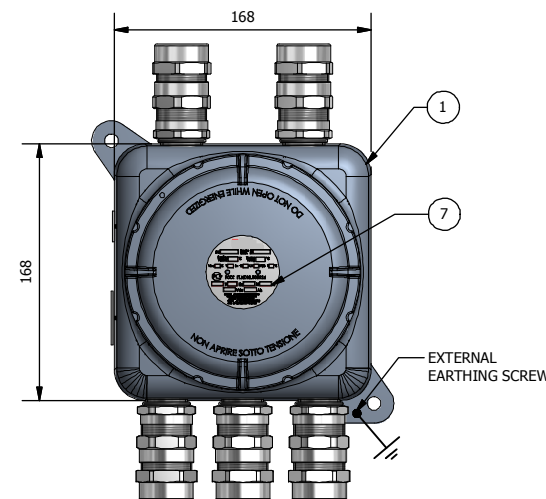
INTERNAL VIEW



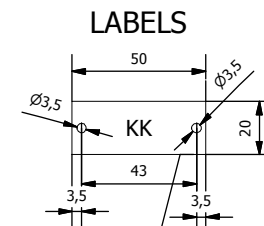
RIGHT SIDE VIEW



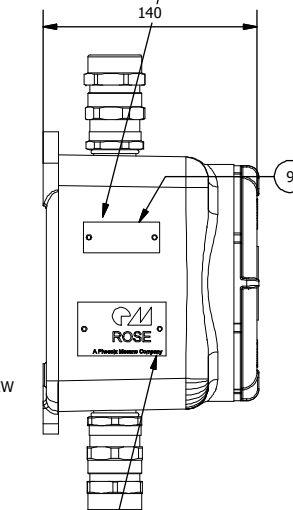
BOTTOM VIEW



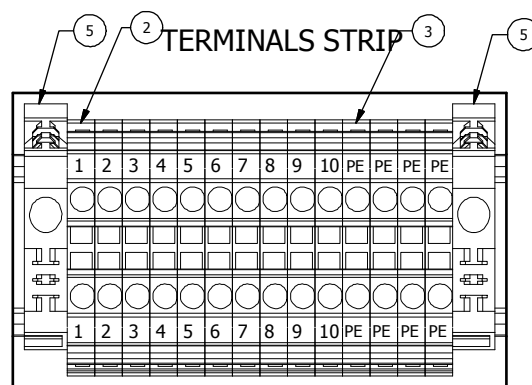
FRONT VIEW



LABELS

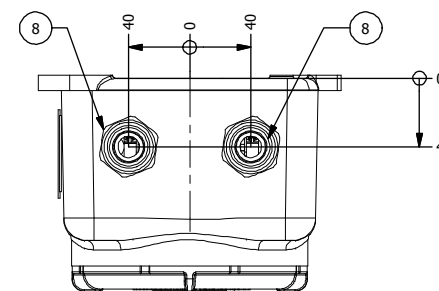
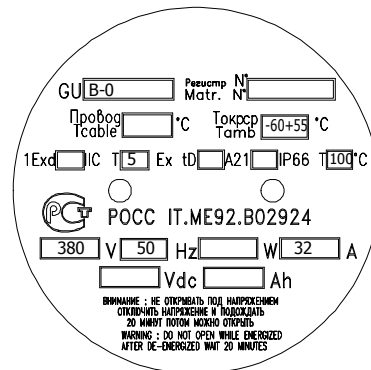


LEFT SIDE VIEW

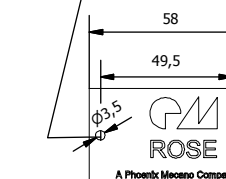


TERMINALS STRIP

CERTIFIED LABEL



TOP VIEW



2	30.01.14	FOR CONSTRUCTION	MT	SM			
1	30.01.14	FOR APPROVAL	MT	SM			
0	26.01.14	FOR APPROVAL	MT	SM			
REV.	DEL/OF	DESCRIZIONE/DESCRIPTION	DIS DRAWN	VER/APPR. CHKD/APPR.	DIS.N. DWG.N.	150162	FG. SH. 2 OF 2